

Submittal Data

DIELECTRIC DOUBLE FLANGED CHECK

Job Name: _____	Submitted by: _____	Date: _____
Location: _____	Approved by: _____	Date: _____
Engineer: _____	Order No.: _____	Date: _____
Contractor: _____	Notes: _____	
Sales Rep.: _____		

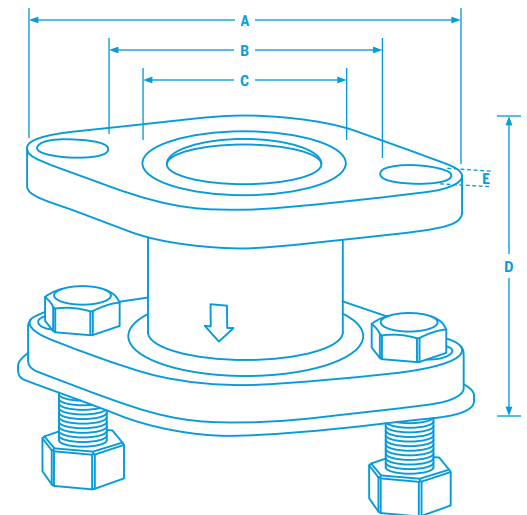
DESCRIPTION

Upgrade your pump system with our innovative dielectric double flanged check, designed to seamlessly integrate with a wide range of pumps from 3/4" to 1 1/2". This flanged check are engineered to accommodate standard flange pump installations, ensuring compatibility and ease of use. Featuring slotted bolt holes, these versatile dielectric double flanged check are perfect for both standard and high-velocity pumps, offering unparalleled flexibility in your setup.

TECHNICAL SPECIFICATIONS

- ▶ Flange: Brass
- ▶ Bolts and nuts: Steel
- ▶ Dielectric ring: Nylon
- ▶ Body: Brass
- ▶ Check valve: POM
- ▶ Flange gasket: NBR
- ▶ For pump flange 3/4" thru 1 1/2"
- ▶ Included 1 gasket, 2 nuts and 2 bolts

Model#	Connect.	A		B		C		D		E		Weight	
		in	cm	in	cm	in	cm	in	cm	in	cm	lb	kg
CVPF	3/4" to 1 1/2"	4 3/16	10.6	2 11/16	6.8	1 1/4	3.2	1 3/4	4.4	3/8	0.9	1.63	0.74



TYPICAL SPECIFICATIONS

Furnish and install as shown on plans and described as follow a Calefactio dielectric double flanged check. This must contain one(1) gasket, two(2) nuts and two(2) bolts. The dielectric double flanged check must be Calefactio's model CVPF or approved equivalent.