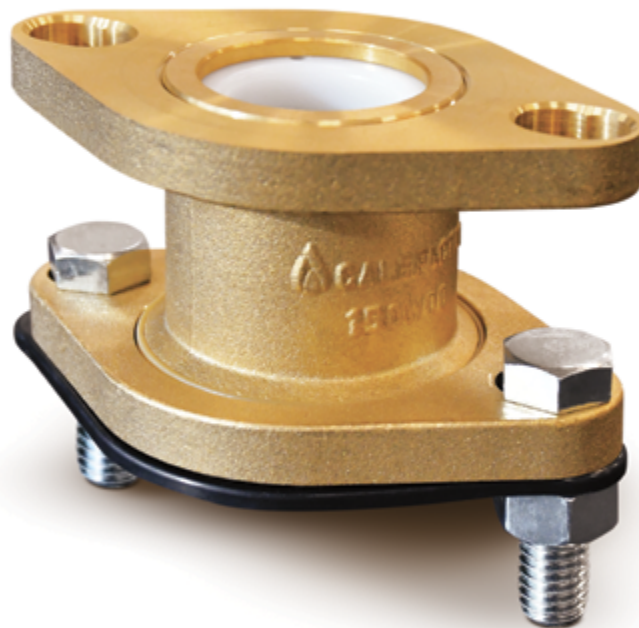




## DIELECTRIC DOUBLE FLANGED CHECK

Upgrade your pump system with our innovative dielectric check valve, designed to seamlessly integrate with a wide range of pumps from  $\frac{3}{4}$ " to  $1\frac{1}{2}$ ".



Reduce Corrosion

Prevent Backflow

Low Maintenance  
and Versatility

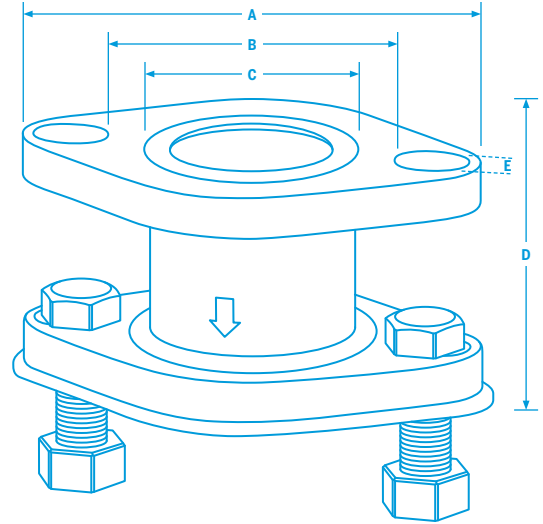
[calefactio.com](http://calefactio.com)

# PROTECT YOUR FLOW, PREVENT CORROSION

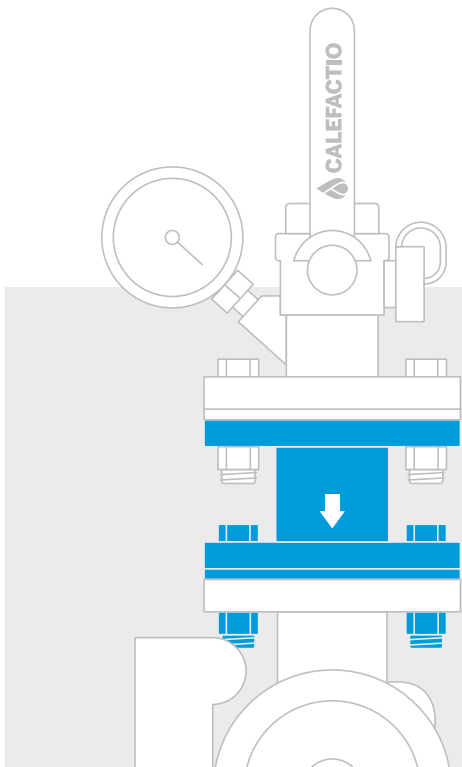
A dielectric check valve prevents backflow and corrosion in piping systems by isolating dissimilar metals, ensuring fluid flows in one direction while protecting the integrity of the system.

## BENEFITS

- ▶ Dielectric rotating flange
- ▶ Effortlessly connect with various pumps
- ▶ Saves time
- ▶ Made in brass
- ▶ Fit both standard and high velocity pumps
- ▶ Prevent backflow
- ▶ Contribute to system safety and optimal performance
- ▶ Low maintenance and versatility



Model#	Connect.	A		B		C		D		E		Weight	
		in	cm	in	cm	in	cm	in	cm	in	cm	lb	kg
DDFC	¼" to 1½"	4⅜	10.6	2⅛	6.8	1¼	3.2	1¾	4.4	¾	0.9	1.63	0.74






## TECHNICAL SPECIFICATIONS

- ▶ Flange: Brass
- ▶ Bolts and nuts: Steel
- ▶ Dielectric ring: Nylon
- ▶ Body: Brass
- ▶ Check valve: POM
- ▶ Flange gasket: NBR
- ▶ For pump flange ¼" thru 1½"
- ▶ Included 1 gasket, 2 nuts and 2 bolts

078-2024-11

Quebec, Canada  
 T 450 951.0818  
 F 450 951.2165

 [calefactio\\_solutions](#)  
 [calefactio](#)  
 [calefactio-solutions-inc](#)

[calefactio.com](#)


**CALEFACTIO**  
 Improve what's best