

DUPLEX GMP

PROJECT

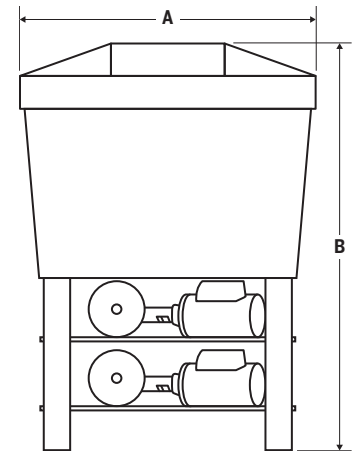
_____ To _____
 _____ Date submitted _____
 _____ Date of approval _____
 _____ Model number _____

_____ Project _____
 _____ Submitted by _____
 _____ Approved by _____
 _____ Quantity _____

DESCRIPTION

The Duplex GMP unit (GMPD) has two mechanical systems composed each of one magnetic starter and a low level alarm switch, which stops the pump in the event of a low level. Low liquid level sensors are in the tank. The user will be warned by a visible and audible (which can be disabled) alarm.

The GMPD unit is mounted on a sturdy steel frame, complete with legs to keep it off the floor. The package includes two pumps (120 V/1 ph/60 Hz), two pressure tanks, two priming valves, two pressure regulator valves (PRV), a shut-off valve, two pressure gauges, and a 50 or 100 gallons polyethylene tank with level indicator. The GMP connection on this unit is 1/2" (1.27 cm.)



TECHNICAL CHARACTERISTICS

MODEL	MAKE-UP CAPACITY		MOTOR		PRESSURE RANGE	SOLUTION CONTAINER		DIMENSION				APPROX. WEIGHT			
	GPM @ psi	l/m @ kPa	hp	kW		Voltage	psi	kPa	A		B		lb	kg	
									gal.	L	in	cm			in
GMPD23050	1.8 @ 70	6.8 @ 482	1/3	0.2	120 V/1 ph/60 Hz	10-70	69-482	50	189	28	71	55	140	153	69
GMPD23100	1.8 @ 70	6.8 @ 482	1/3	0.2	120 V/1 ph/60 Hz	10-70	69-482	100	378	28	71	78	198	166	75
GMPD25050	1.8 @ 70	6.8 @ 482	1/2	0.4	120 V/1 ph/60 Hz	10-70	69-482	50	189	28	71	55	140	153	69
GMPD25100	1.8 @ 70	6.8 @ 482	1/2	0.4	120 V/1 ph/60 Hz	10-70	69-482	100	378	28	71	78	198	166	75

TYPICAL SPECIFICATIONS

Furnish and install, as shown on plans and described as follows a glycol feeder equipped with two mechanical systems composed of a magnetic starter each as well as a switch and an audible and visual low level alarm which stops the pumps in the event of a low level. The system must be mounted on a sturdy steel frame, completed with legs to keep it off the floor and include two pumps (120V/1ph/60Hz), two pressure tanks, two priming valves, two pressure regulator valves (PRV), a shut-off valve, two pressure gauges, two _____ hp motors and a _____ gallons polyethylene tank with level indicator. The unit must be Calefactio's GMPD _____ or approved equivalent.

Quebec (Canada)
 T 450 951.0818
 F 450 951.2165
 info@calefactio.com
 calefactio.com